

UniPOS

REMOTE INDICATOR type RI 31 type RI 31S



Instruction manual (Rev.5/07)

1. INTRODUCTION

Remote indicator has been designed to duplicate the alarm signal for fire condition, given by the fire detectors. Remote indicator RI 31 gives out a light signal, RI 31S gives out a sound signal. The devices can be used independently for light and sound signalling when included in other systems.

2. TECHNICAL DATA

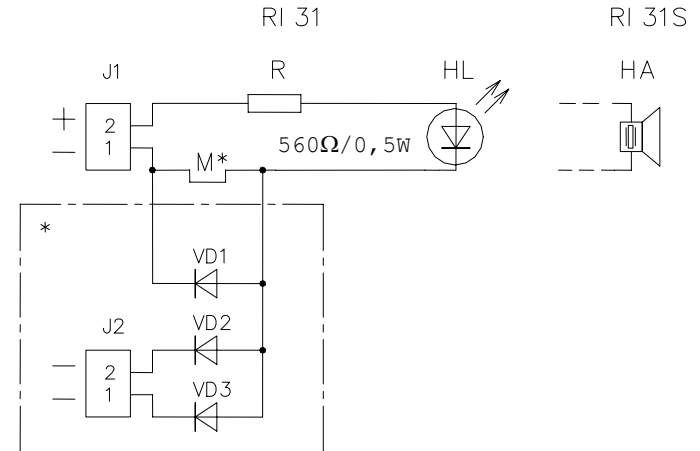
2.1. Power supply	- (5 to 30)V DC
2.2. Alarm state current at 24V DC	
- RI 31	- 40 mA
- RI 31S	- 11 mA
2.3. Connection to fire detector	- two-wire line
2.4. Colour of the light signalling /RI 31/	- red
2.5. Sound pressure /RI 31S/	- at least 60 dB
2.6. Degree of protection	- IP 40
2.7. Operational temperature range	- minus 10°C to 60°C
2.8. Relative humidity resistance	- (92 ⁺³ ₋₂)% at 35°C
2.9. Dimensions	- (75x75x22) mm
2.10. Weight	- 0,04 kg

3. STRUCTURE

The Remote Indicator consists of a cover and a base. A circuit board with a terminal and a LED /RI 31/ or piezocrystal sound indicator / RI 31S/ are mounted on the base - see Fig.1.

Upon customers request the remote indicators RI 31 and RI 31S can be delivered with a three input control.

When used independently, you should consider the value of the resistor R and the power supply. In this case the permissible current through the LED /piezo emitter/ shall be determinant.



* Three input control option; the bridge M has been cut off.

Fig.1. Circuit diagram

4. MOUNTING

- 4.1. Remove the cover by pressing the click.
- 4.2. Fix the base on the wall or ceiling, using the appropriate fixings.
- 4.3. Feed the connection cable through the cable entry in the centre of the base and connect it to the terminals "+" and "-".
- 4.4. Replace the cover on the base.

5. WARRANTY

The warrant period is 36 months from the date of purchase, providing that the requirements stated in the service schedule have been observed.

